

Pneumatic Stapler Type 14/50-763

This light, well balanced and rugged heavy duty stapler drives BeA type 14 and type 16 (155) staples in length from 25 to 50 mm. The top loading magazine holds 150 staples. The 14/50-763 stapler has a quick release nose for easy jam clearance. The slender nose affords better operator visibility for more precise fastener placement.



Popular applications:

Expendable pallets, sheathing, roof decking, subflooring, furniture frame assembly.

Length: 334 mm
Width: 70 mm
Height: 244 mm

Technical data

| Type description: | 14/50-763 | 14/40-763 |
|---|-------------------------|-------------------------|
| Contact | Contact | Single |
| Article code: | 12000257 | 12000431 |
| Magazine type : | Top loader | Top loader |
| Safety: | Contact actuation | Single actuation |
| Fastener type: | Type 14 / type 16 (155) | Type 14 / type 16 (155) |
| Magazine capacity: | 156 / 144 | 156 / 144 |
| Fasteners per strip: | 2 x 75 / 2 x 70 | 2 x 75 / 2 x 70 |
| Operating pressure: | 6 – 8 bar | 6 – 8 bar |
| Max. operating pressure: | 8 bar | 8 bar |
| Air consumption/operation: | 1.5 litre / 6 bar | 1.5 litre / 6 bar |
| Inner hose diameter: | Ø 9 mm LW recommended | Ø 9 mm LW recommended |
| Emission sound pressure level at the workstation: | L pA, 1s, d= 90 dB | L pA, 1s, d= 90 dB |
| Single-shot emission sound pressure level: | L WA, 1 s,d= 97 dB | L WA, 1 s,d= 97 dB |
| Weight: | 2.14 kg | 2.14 kg |

The vibration as per document no. CEN/TC 255 WG 1 N 47.3 is 3,3 m/s²

Extras supplied with the nailer: Operating instructions, spare parts list, service instructions, silencer.

Subject to technical modifications.

Accessories:

| Article code | Description |
|--------------|----------------------|
| 14406422 | Single actuation set |
| 14403402 | Remote valve |
| 14403536 | Mounting flange |
| 14406082 | Castor, compl. |
| 14406172 | Exhaust set |
| 14406552 | |

All BeA pneumatic tools can be jig-mounted
We supply the necessary accessories and equipments.



This tool conforms to the EG Directive
for Machinery (89/392 EWG)

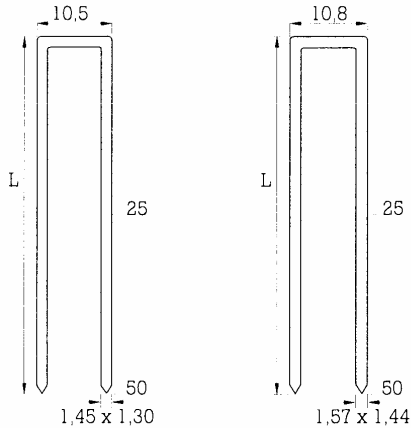
Pneumatic Stapler Type 14/50-763



BeA Deutschland
Befestigungstechnik
P.O.Box 14 80
D-22904 Ahrensburg
Phone: +49 (0) 4102 78-0
Fax: +49 (0) 4102 78-250
www.bea-group.com
e-mail: info@bea-group.com

a division of
Joh. Friedrich Behrens AG

Staples type 14 and type 16 (155)



| Description | L = Length mm |
|-------------|------------------|
| 14/25 NK HZ | 25 |
| 14/28 NK HZ | 28 |
| 14/30 NK HZ | 30 |
| 14/32 NK HZ | 32 |
| 14/35 NK HZ | 35 |
| 14/38 NK HZ | 38 |
| 14/40 NK HZ | 40 |
| 14/45 NK HZ | 45 |
| 14/50 NK HZ | 50 |

| | |
|-----------------------|----|
| 16/25 NK HZ (155/25) | 25 |
| 16/28 NK HZ (155/28) | 28 |
| 16/30 NK HZ (155/30) | 30 |
| 16/32 NK HZ (155/32) | 32 |
| 16/35 NK HZ (155/35) | 35 |
| 16/38 NK HZ (155/38) | 38 |
| 16/40 NK HZ (155/40) | 40 |
| 16/45 NK HZ (155/45) | 45 |
| 16/50 NK HZ (155/50) | 50 |

Staples type 16 (155) also available in NR HZ and VZ HZ.
Other lengths and finishes are also available on request.

Explanations:

| | | | |
|------------------------------------|--------------------------------|--|----------------------|
| NK = galvanized steel | BK = bright steel | LM = aluminium | HZ = resin coated |
| NKS = galvanized steel, extra hard | BKS = bright steel, extra hard | NR = stainless steel, material. 1.4401 | DP = divergent point |
| NKH = galvanized steel, hard | MS = brass | RF = rust resistant, material 1.4301 | SA = step cut |

Typ 14/50-763C (Art.-Nr. 12000257)
Type
Tipo

